

512K MEMORY KIT

Before installing this kit, make sure the 2000/2002 is working properly.

TO OPEN THE 2000

1. Remove the three screws on each side panel.
2. On the bottom panel remove two screws - one is the black screw closest to the left front foot. The other screw, also black, is closest to the right large silver panhead screw.

TO OPEN THE 2002

Open the 2002 by removing the three screws that hold down the lid (two screws on top and one screw below audio out jacks).

TO INSTALL STATIC RAMS

(Refer to DZ886 for the following instructions)

1. Carefully bend up pin 18 (parallel with top surface) on each of the supplied static RAMS (6116P-4).
2. Piggyback one of the supplied static RAMS to U212 (pin 1 to pin 1, pin 2 to pin 2 and so on). Solder all pins - except for pin 18 - to the lower static RAM. It may be necessary to cut pin 18 slightly to prevent it from shorting.
3. Solder the other supplied static RAM to U213 in the same manner.
4. Cut the supplied 5" green wire in half and strip the ends.
5. Solder one wire to U212 pin 18 (top static RAM) and solder the other end of this wire to U218 (74HC138) pin 9.

***NOTE:** In older units U218 is a piggyback board. In this case the 74HC138 is on the piggyback board.

6. Solder the other wire to U213 pin 18 (top static RAM) and solder the other end of this wire to U218 (74HC138) pin 7.

TO INSTALL MAIN MEMORY

***NOTE:** In a 2002+ it is necessary to remove the eight output jack board before proceeding.

1. Remove the original 256K memory board (remove the four corner screws and carefully pull straight up). This board will go on top of the stack.
2. Position one of the supplied memory boards (either one) onto the header (main board, PC2000-2) where the original 256K board came from. Firmly press into place and secure with standoffs (supplied).

3. Place the other supplied 256K board on top of this last one and firmly press into place. Secure with the remaining four standoffs.
4. Now stack the original 256K board on top in the same way. Secure this one with the original screws and washers.

***NOTE:** If any of these 256K boards do not mate properly with the connector below, it will be hard to install standoffs or screws. Reposition the board into the connector if this happens (it is important that these are connected properly or I.C.s can be damaged).

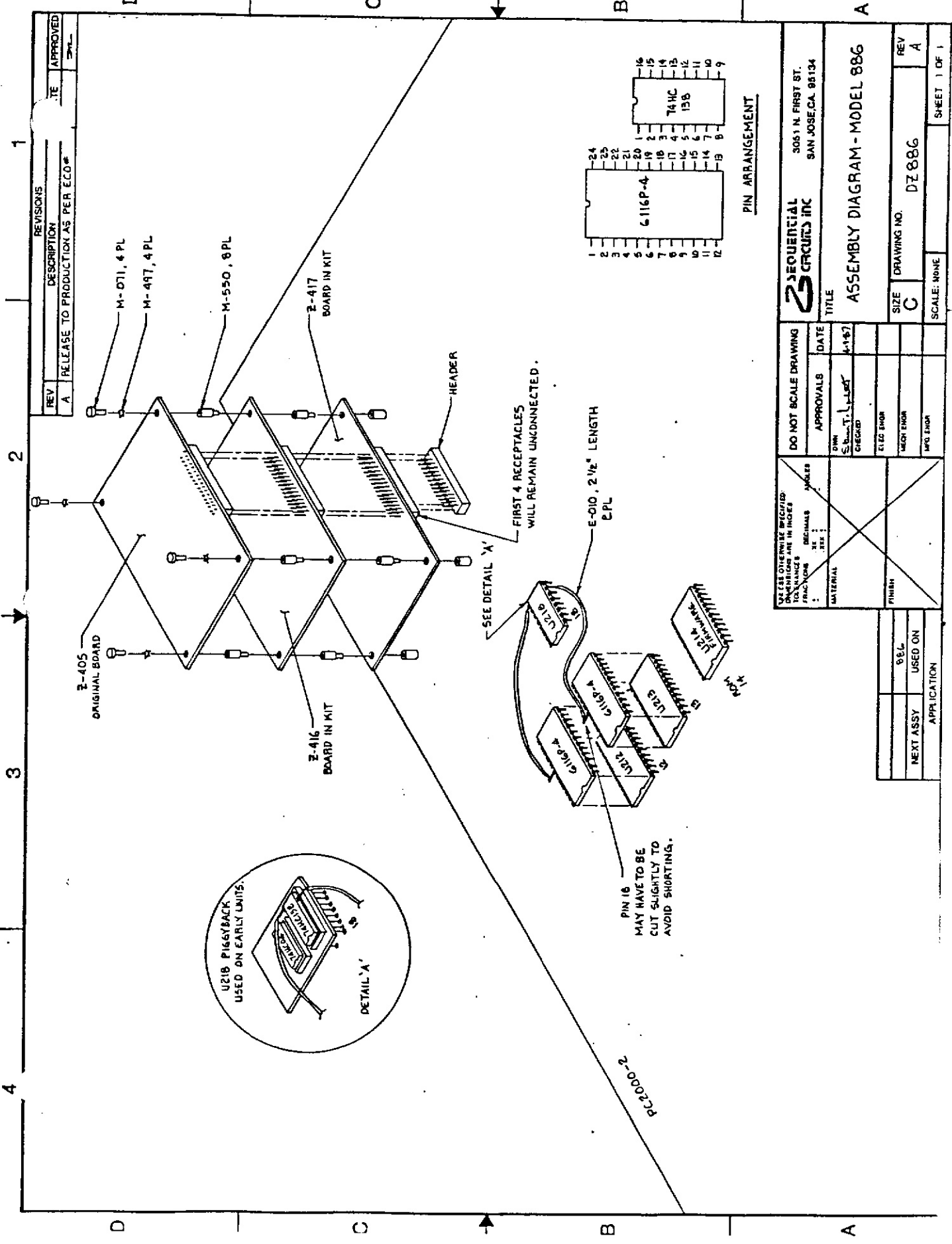
TO UPDATE FIRMWARE

1. Carefully remove the old firmware (ROM-U214) and replace with new 2000/2002 firmware (version 4.1) part #Z-1079 (one Model 879 firmware kit is shipped automatically with each expansion kit or combination of update kits).

Functional test unit and if ok, reassemble.

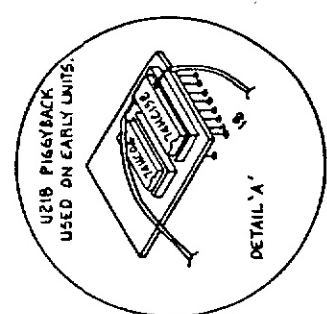
PARTS LIST **NOT INCLUDED in parts kit.**

CN2000-5A	1	Operation Sheet
CM886-1	1	Installation Instructions
E-010	5"	Wire
I-073	2	6116 RAM
M-550	8	Male-Female Standoff
Z-416	1	Memory Board (Jumper Position 1)
Z-417	1	Memory Board (Jumper Position 2)



REVISIONS		DATE	APPROVED
REV A	DESCRIPTION		
	RELEASE TO PRODUCTION AS PER ECO#		

Z-405	ORIGINAL BOARD
M-071, 4 PL	
M-497, 4 PL	
M-520, 8 PL	
Z-416	BOARD IN KIT
Z-417	BOARD IN KIT
HEADER	

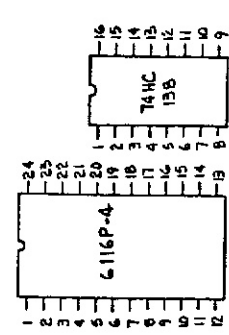


SEE DETAIL 'A'

FIRST 4 RECEPTACLES WILL REMAIN UNCONNECTED.

E-010, 2 1/2" LENGTH PPL

PIN 16 MAY HAVE TO BE CUT SLIGHTLY TO AVOID SHORTING.



PIN ARRANGEMENT

DO NOT SCALE DRAWING		DATE	4-1-87
APPROVALS	DATE		
JOHN S. T. JONES			
CHECKED			
ELED ENGR			
WCKY ENGR			
MFO ENGR			
FINISH			
MATERIAL			
DIMENSIONS ARE IN INCHES			
TOLERANCES			
FRACTIONS			
DECIMALS			
ANGLES			

3 SEQUENTIAL CIRCUITS INC		3051 N. FIRST ST.	
		SAN JOSE, CA. 95134	
TITLE			
ASSEMBLY DIAGRAM - MODEL 886			
SIZE	DRAWING NO.	REV	REV
C	DZ 886	A	A
SCALE:	NONE	SHEET 1 OF 1	

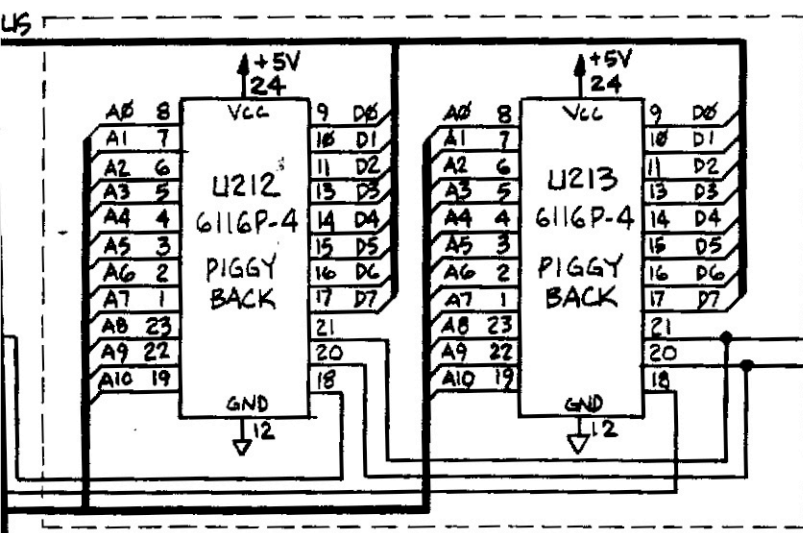
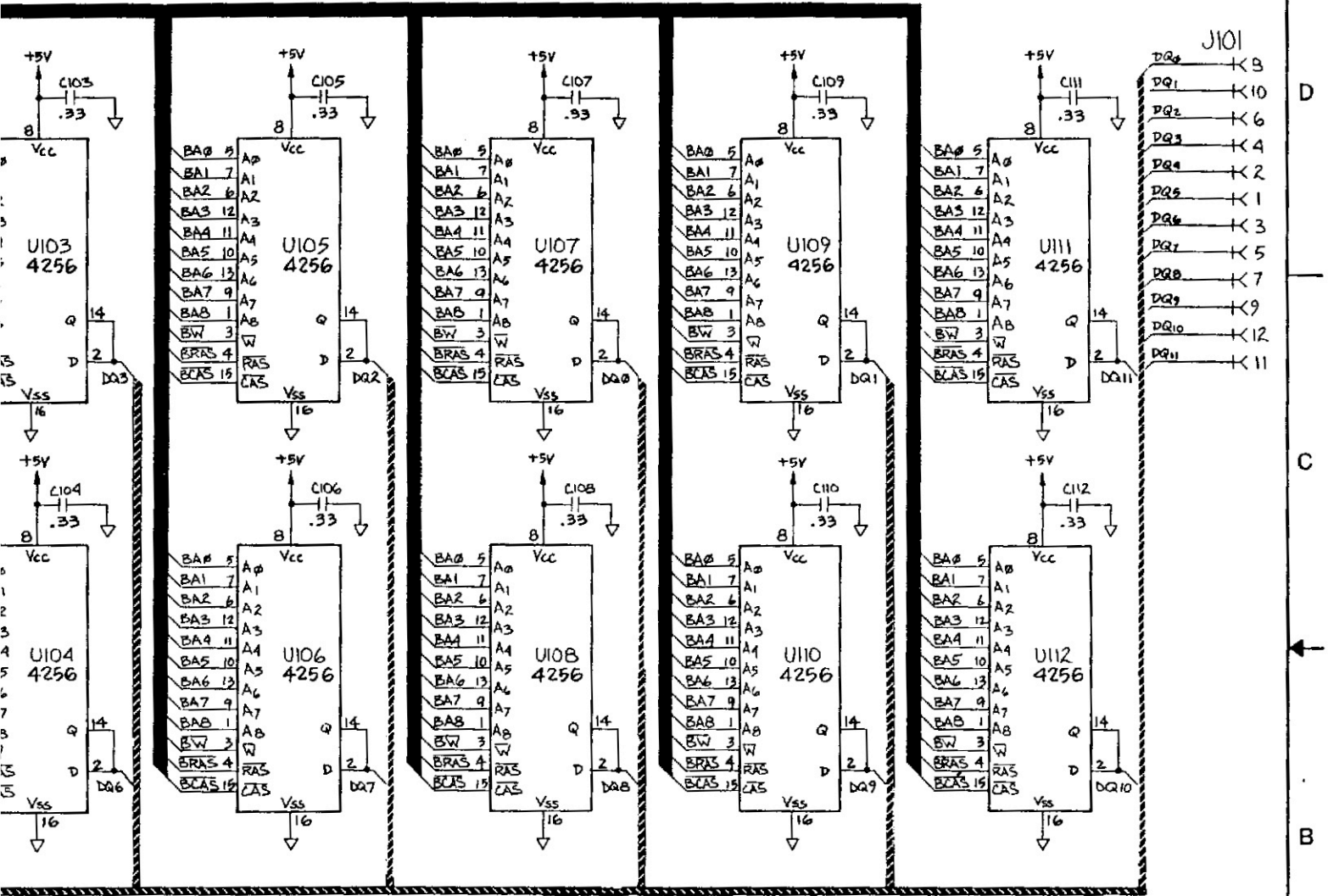
APPROVALS	DATE
JOHN S. T. JONES	4-1-87
CHECKED	
ELED ENGR	
WCKY ENGR	
MFO ENGR	

U218 PIGGYBACK	USED ON
U218 PIGGYBACK	USED ON
U218 PIGGYBACK	USED ON
U218 PIGGYBACK	USED ON
U218 PIGGYBACK	USED ON

APPLICATION

PC2000-2

REVISIONS			
REV	DESCRIPTION	DATE	APPROVED



TO BE ADDED
TO PC2000-2

U213-PIN21
U213-PIN20

SEQUENTIAL CIRCUITS INC
3051 N. FIRST ST.
SAN JOSE, CA. 95134

TITLE
**256K MEMORY EXPANSION BOARD
AND STATIC RAM CIRCUIT**

APPROVALS	DATE
OWN STAFF	2/85
CHK	
DSN	
PEN	
ISS	

SIZE: D DRAWING NO. REV: A

SCALE: 1:1 DWG: 5-8 85 SHEET OF

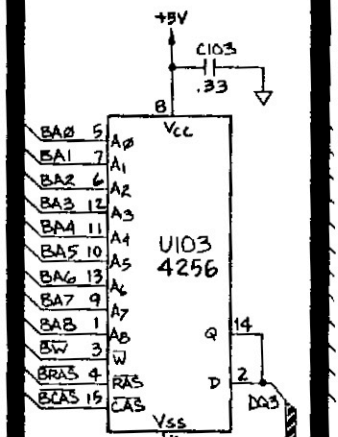
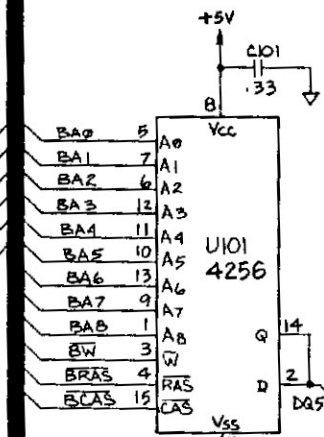
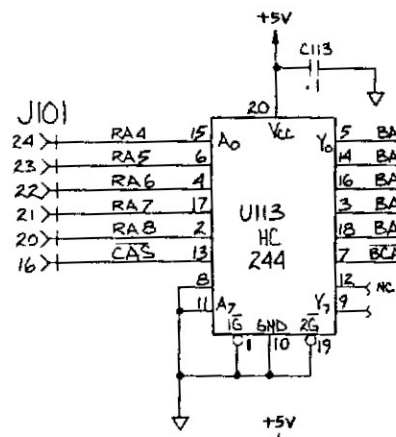
2

1

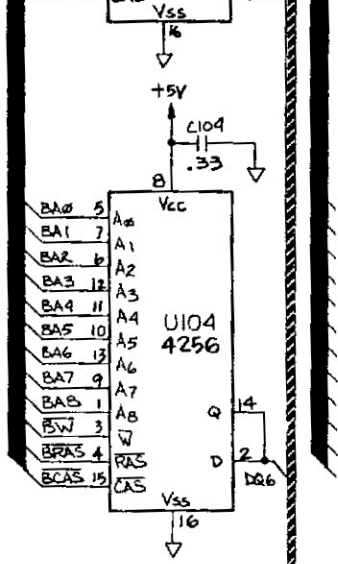
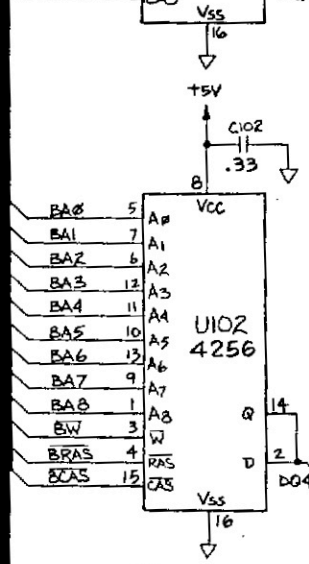
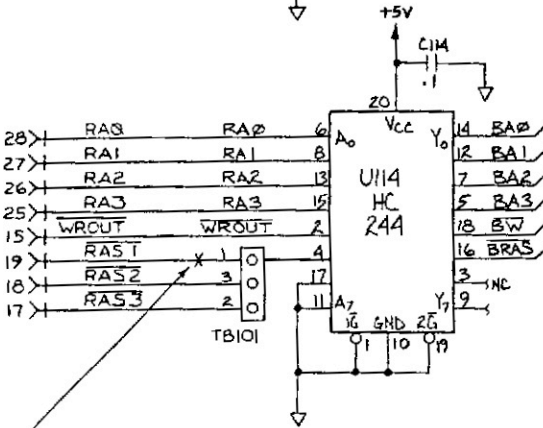
2

1

D

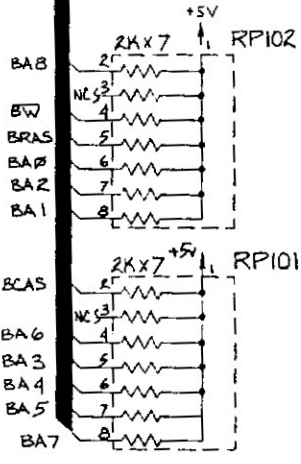
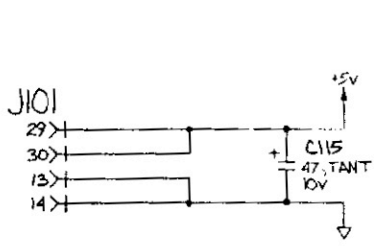


C



CUT TRACE AND JUMP FROM TB101 PIN 1 TO TB101 PIN 2 OR 3, ONLY WHEN THIS BOARD IS USED FOR FURTHER MEMORY EXPANSION. SEE CN877 FOR INSTRUCTIONS.

B



A

